

DO NOT SCALE

IF IN DOUBT ASK

NOTE
75mm(3") MAX. HULL THICKNESS
ALL MODELS



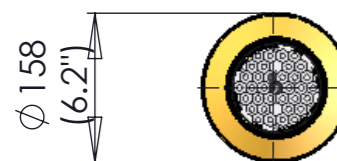
1010 THRU HULL



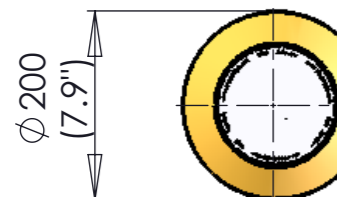
1520 THRU HULL



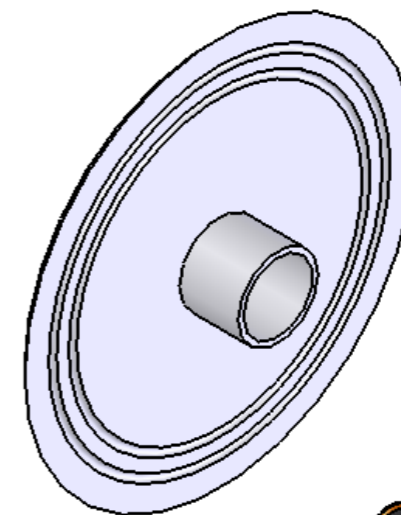
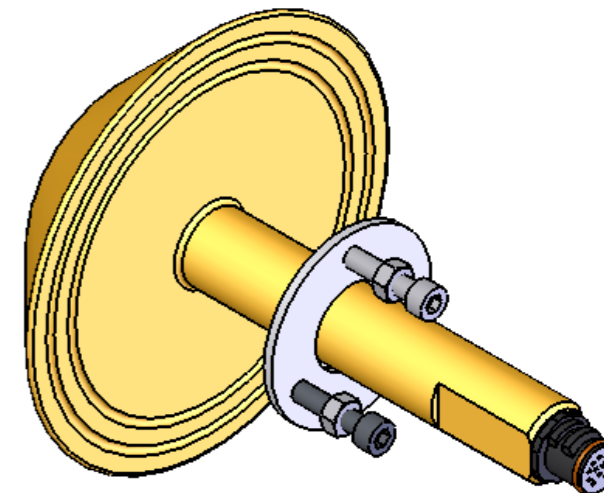
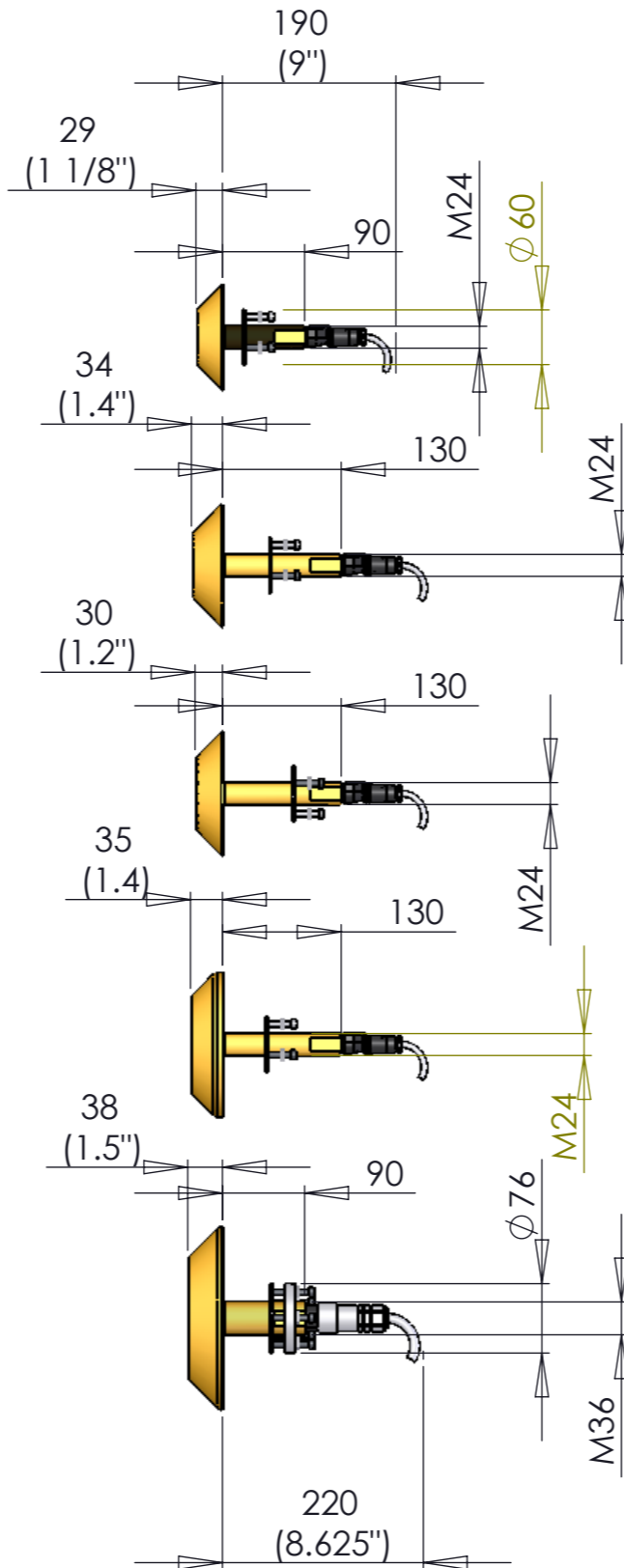
2010 THRU HULL



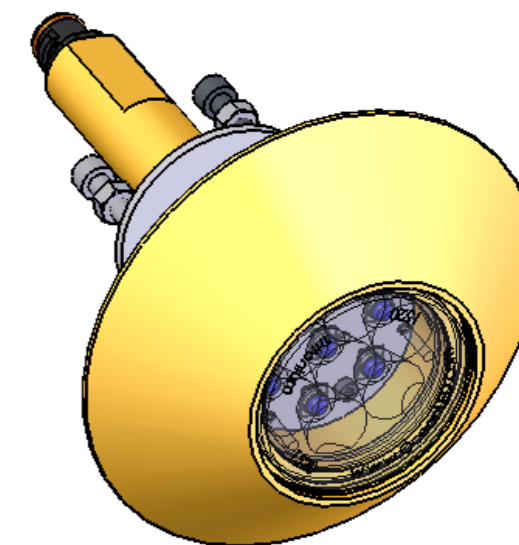
3010 THRU HULL



4010 THRU HULL



OPTIONAL
DELRIN ISOLATING SLEEVE
FOR USE ON METAL HULLS
AVAILABLE FOR ALL
MODELS



GEOMETRIC CHARACTERISTIC SYMBOLS			
STRAIGHTNESS	PROFILE OF A LINE	ANGULARITY	RUN OUT
FLATNESS	PROFILE OF A SURFACE	POSITION	BASIC DIMENSION
ROUNDNESS	PARALLELISM	CONCENTRICITY	MAXIMUM MATERIAL CONDITION
CYLINDRICITY	SQUARENESS	SYMMETRY	DATUM
THIRD ANGLE PROJECTION			

ALL DIMENSIONS ARE IN MILLIMETERS

TOLERANCES ON CASTINGS, UNMACHINED PARTS AND FABRICATIONS, +/- 0.8

TOLERANCES ON MACHINED DIMENSIONS

WHOLE UNITS	+/- 0.25
ONE DEC. PLACE	+/- 0.1
TWO DEC. PLACE	+/- 0.05
ANGLES	+/- 0.5 DEG.

ALL UNSPECIFIED CHAMFERS 1 x 45
BREAK ALL SHARP EDGES 0.1 TO 0.5

THIS DRAWING IS THE PROPERTY OF Ocean LED LTD. COPYRIGHT IS RESERVED BY THEM. THE DRAWING IS ISSUED UNDER THE CONDITION THAT IT MUST NOT BE USED FOR ANY PURPOSE OTHER THAN WHICH IT IS SUPPLIED AND NOT BE COPIED, REPRODUCED, RETAINED OR DISCLOSED TO UNAUTHORISED PERSONS WHOLLY OR IN PART WITHOUT THE CONSENT IN WRITING OF Ocean LED LTD.

TITLE THRU-HULL LIGHT RANGE		
MATERIAL SPEC		
HEAT TREATMENT		
FINISH		
DRAWN sant	DATE 27/07/2007	SCALE 1:8



Tel. 02476 371700
Fax. 02476 374840

Ocean LED Ltd.

21 Ptarmigan Place
Attleborough Fields Ind. Est.
Nuneaton
CV11 6RX

www.oceanled.com

DRAWING NUMBER

TH-001

SHEET 1 of 1

ISSUE

A3